

STENCIL

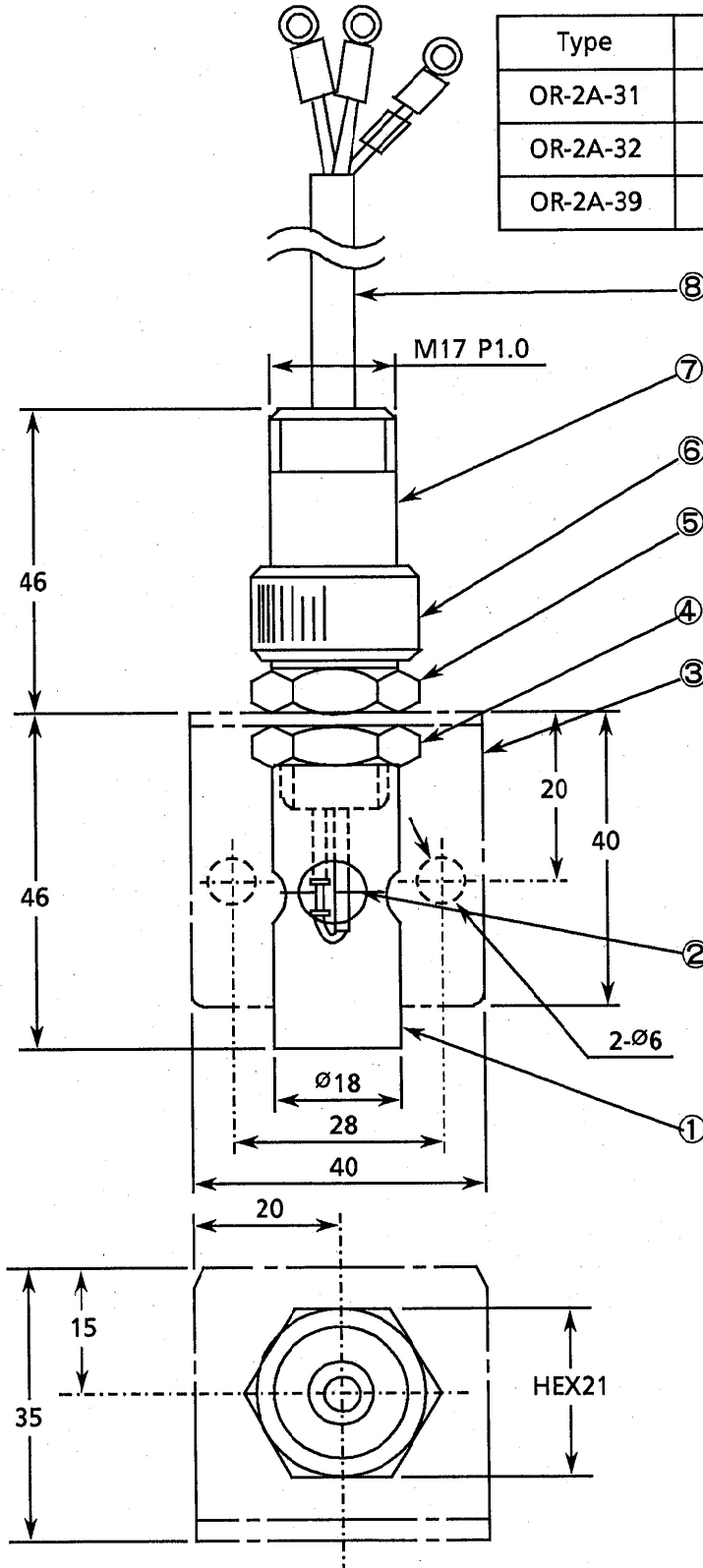
A

B

C

D

Type	Installation style	
OR-2A-31	L-Type mounting plate method	
OR-2A-32	Rc 1/2 screwing method	
OR-2A-39	others method	



8	Cable	2c chielde
7	Connector case	SUS-304
6	Ring connector	SUS-304
5	Adapter	SUS-304
4	Nut	SUS-304
3	Mounting plate	SUS-304
2	Sensor Unit	ORE-3
1	Protection cover	SUS-304
No.	Name	Remarks

S-S017-242

No.	Date	Outline	DR.	APP.

APP.	CH.	DR.	OIL SENSOR TYPE OR-2A		3RD	UNIT	SCALE
T.N	H.O	S.M	EXTERNAL VIEW		ANGLE	mm	1 / 2
Nov.20.'03	Nov.20.'03	Nov.20.'03			DWG. No.	B-4679E	